



A complete video conferencing solution from Sony and Logitech

Easily transform any room into a reliable, high quality, video conferencing room with Sony BRAVIA™ Professional Display and Logitech video conferencing solutions.

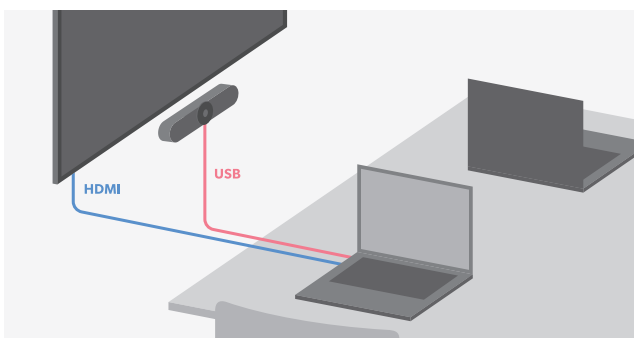


Conferencing solutions powered by BRAVIA and Logitech

New offerings include everything you need for plug-and-play meeting room solutions. Available in two configurations.

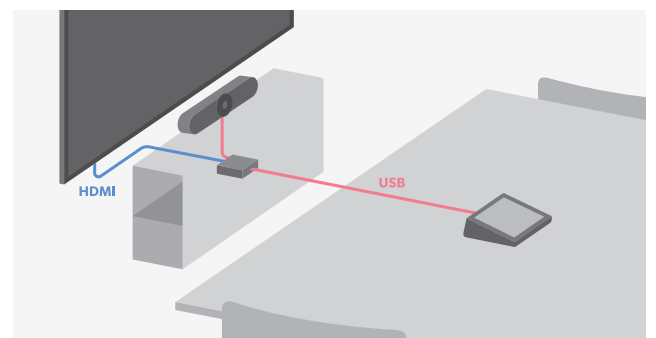


BRING YOUR OWN DEVICE



Easily connect any PC to the room system and device settings synchronization is automatically completed, allowing for a quick and easy start to meetings.

ONE TOUCH CONFERENCING

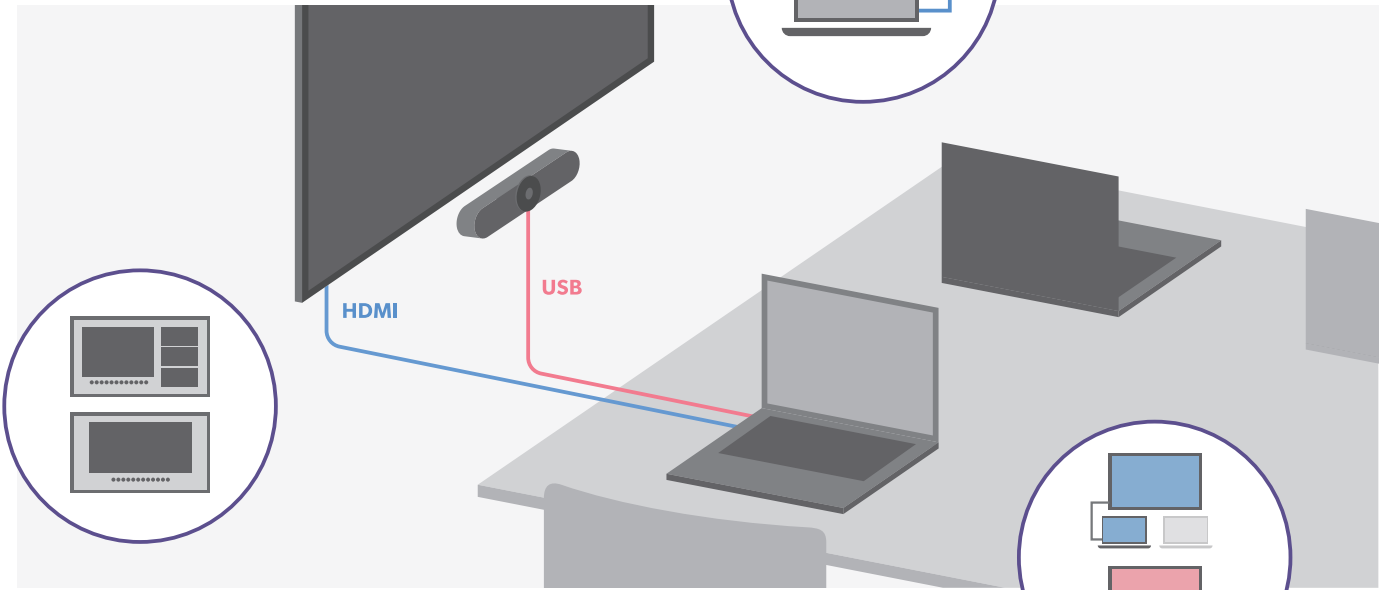


Tap controller offers calendar integration, touch-to-join, and instant content sharing. Pre-configured with room-optimized software from Google, Microsoft, or Zoom.

BRING YOUR OWN DEVICE



1. Plug in your device and display and camera will automatically turn on.



2. Customize home screen when not used for meeting room and corporate messages.

3. Switch presenters through cable connection.



| Product Specifications



BRAIVA 4K Professional Display

- Sizes: 43"/49"/55"/65"/75"/85"
- 4K with advanced picture processing technology
- Plug and play HDMI connection
- Integration flexibility with IP/RS-232C control



Logitech MeetUp

- All-in-one conference camera with extra wide field of view and integrated audio
- Compact design to fit small meeting rooms
- Plug and play USB connection

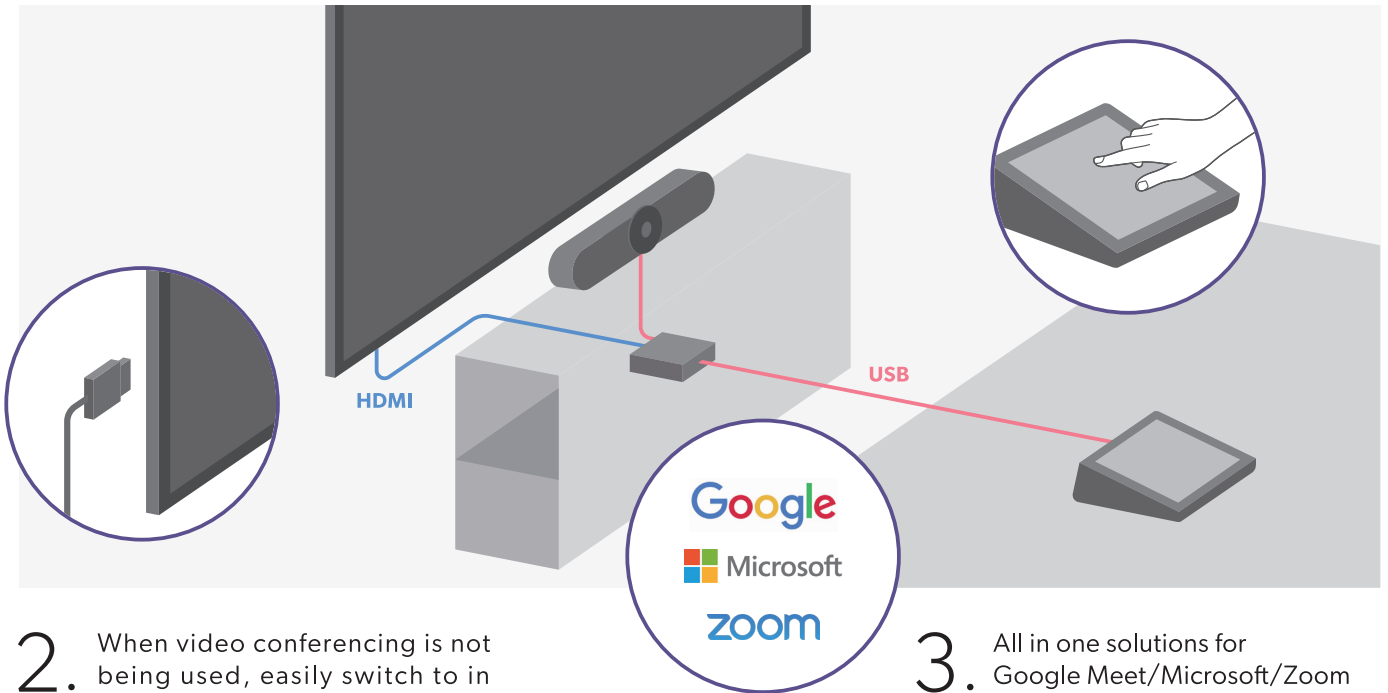


Logitech Rally

- Premium Ultra-HD conference camera for mid to large size rooms
- Modular audio for full coverage of medium to large rooms
- Smart cabling with accessories

ONE TOUCH CONFERENCE

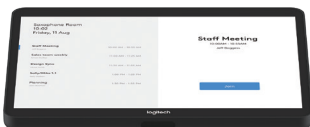
1. Integrated with your business calendar platform, start your video meeting with one touch!



2. When video conferencing is not being used, easily switch to in room meetings using HDMI.

3. All in one solutions for Google Meet/Microsoft/Zoom

Product Specifications



Logitech Tap

- Touch control for workplace collaboration
- Easy to start video conferencing
- Flexible mounting options



Logitech and BRAVIA Meeting Solution

- Preconfigured video conferencing solution
- Mini PC + Logitech Tap + Camera + Audio
- Google, Microsoft, Zoom are supported

Tech Specs

SMALL ROOM



MEDIUM ROOM



LARGE ROOM



Display BRAVIA BZ35F Series	49 inch	65 inch	85 inch
Conference Camera	Logitech MeetUp	Logitech Rally	Logitech Rally Plus (2 speakers, 2 mic pods)
Logitech Tap Touch Controller	●	●	●
Logitech Strong USB 10m	●	●	●
Mini PC or Chromebox <small>Pre-configured with Google Meet, Microsoft Teams or Zoom software. License must be purchased separately</small>	●	●	●
Rally Mic Pod Hub	–	–	●
Optional Accessories	Tap Table Mount Tap Riser Mount Tap Wall Mount Logitech Strong USB 25m Expansion Mic for MeetUp Display Mount for MeetUp	Tap Table Mount Tap Riser Mount Tap Wall Mount Logitech Strong USB 25m Rally Mic Pod (up to 7 total) Rally Speaker (up to 2 total) Rally Mic Pod Hub	Tap Table Mount Tap Riser Mount Tap Wall Mount Logitech Strong USB 25m Rally Mic Pod (up to 7 total) Rally Speaker (up to 2 total)
Support Resources	Printed Setup Guide, Sony/LogiTech Support Services		

Product Information

BRAVIA : https://pro.sony/ue_US/products/professional-displays

Logitech : <https://www.logitech.com/vc>